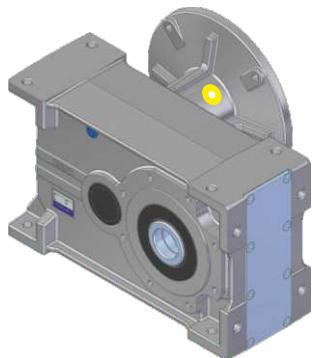


Parallel shaft - ACCESSORIES AND OPTIONS



ATEX Reducer category 2 Riduttore ATEX categoria 2



CODE **AX121**

- Use of synthetic oil and with oil plugs (oil plugs when possible).
- VITON oil seals.
- Loctite on all external screws.
- Double input seals, when possible.
- Additional output oil seals when possible.
- Indication of maximum temperature gauge.
- Utilizzo di olio sintetico e con tappi olio (tappi olio dove è possibile) .
- Anelli di tenuta in VITON.
- Frena filetti su tutte le viti fissaggio esterne.
- Doppio anello di tenuta in entrata , dove è possibile
- Anelli di tenuta supplementare in uscita dove è possibile.
- Indicatore visivo di temperatura di massima.

Advised / Sugerito



Atex Cat. 2

For more information see our guide «Atex installation and maintenance guide» on our website.

Per ulteriori informazioni, consultare la nostra guida « Atex guida alla manutenzione e installazione » sul nostro sito..

ATEX Reducer category 3 Riduttore ATEX categoria 3

CODE **AX222**

- Use of synthetic oil and with oil plugs (oil plugs when possible).
- Utilizzo di soli olio sintetico e con tappi olio (tappi olio dove è possibile) .

Advised / Sugerito

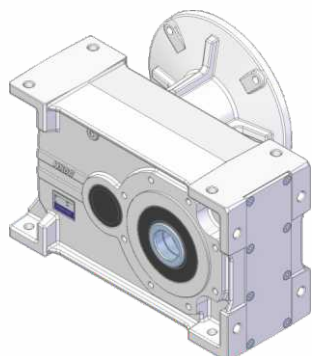


Atex Cat. 3

For more information see our guide «Atex installation and maintenance guide» on our website.

Per ulteriori informazioni, consultare la nostra guida « Atex guida alla manutenzione e installazione » sul nostro sito..

Anticorrosive paint Vernice anticorrosiva



CODE **VEACB**

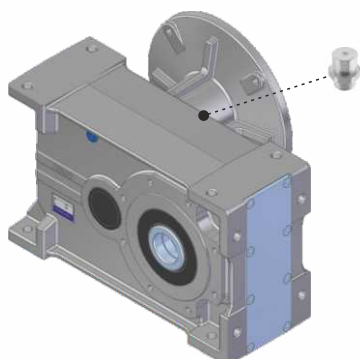
Color flat GREY RAL 7035
The coating is exceptionally hard, slippery, and then compact presents a tremendous resistance to abrasion. Finds its use where the protection is required by agents external aggressive and corrosive.

Colore flat GREY RAL 7035
il rivestimento risulta eccezionalmente duro, scivoloso, compatto e quindi presenta una fortissima resistenza ad abrasione. Trova il suo utilizzo la dove è necessaria una protezione da agenti esterni aggressivi e corrosivi.

Advised / Sugerito

Food industry.
Industria alimentare.

Oil for low temperature and food Olio per basse temperature e alimenti



CODE **OB150**

Agip Blasias 150 (-36°)
Oil for low temperature
Olio per basse temperature

CODE **OHF46**

Rocol HI Power 46 (-35°)
Oil for low temperature
Olio per basse temperature

CODE **OF320**

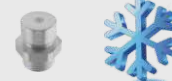
Foodlub 320 (-33°)
Oil for food
Olio per alimenti

CODE **OS320**

Agip Telium 320 (-36°)
Synthetic oil only available for H71/2/3C and H81/2/3C .
Olio sintetico disponibile solo per H71/2/3C e H81/2/3C .

Advised / Sugerito

Low temperature.
* With pressure oil valve plug
Basse temperature.
* con tappo olio con valvola



Oil for food.
Olio per alimenti.

All plugs closed, low internal pressure.
Tappi chiusi, bassa pressione interna.

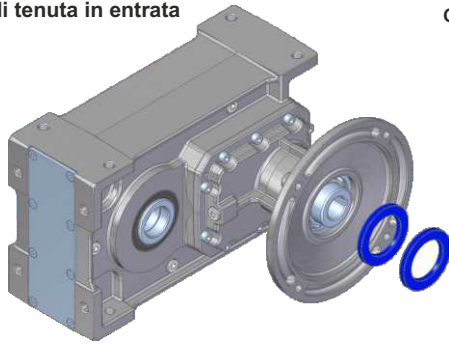
Parallel shaft - ACCESSORIES AND OPTIONS



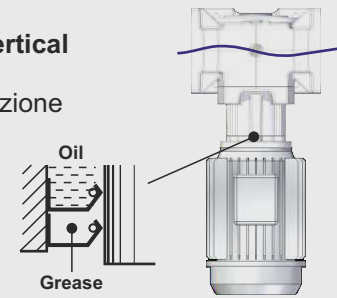
Double input oil seal
Doppio anello di tenuta in entrata

CODE **2ATEN**

Advised / Suggestito



Ideal for V6 vertical position.
Ideale per posizione verticale V6.

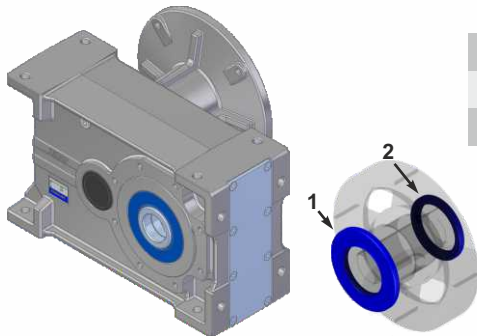


	H62C / H72C	H63C / H73C	H82C	H83C	
IEC	56 B5	—	—	—	
	63 B5	—	35x47x7	—	
	71 B5	45x62x7	35x47x7	—	45x62x7
	80÷90 B5	45x62x7	35x47x7	—	45x62x7
	100÷112 B5	Not available	Not available	—	Not available
	132 B5	Not available	—	Not available	Not available
	160 B5	—	—	Not available	—
	180 B5	—	—	Not available	—
	56 B14	—	—	—	—
	63 B14	—	—	—	—
NEMA	71 B14	—	35x47x7	—	
	80 B14	Not available	35x47x7	—	Not available
	90 B14	Not available	35x47x7	—	Not available
	100÷112 B14	45x62x7	Not available	—	45x62x7
	132 B14	Not available	—	—	Not available
	56C	45x62x7	35x47x7	—	45x62x7
	143/5TC	45x62x7	35x47x7	—	45x62x7
	182/4TC	45x62x7	—	Not available	45x62x7
	213/5TC	Not available	—	Not available	Not available
	254/6TC	—	—	Not available	—

Output shaft Viton oil seals
Anelli di tenuta uscita in Viton

CODE **ATVIU**

Advised / Suggestito



	1	2
H61/2/3	55x100x10	55x80x8
H71/2/3	65x120x12	65x85x10
H81/2/3	75x130x10	75x100x10

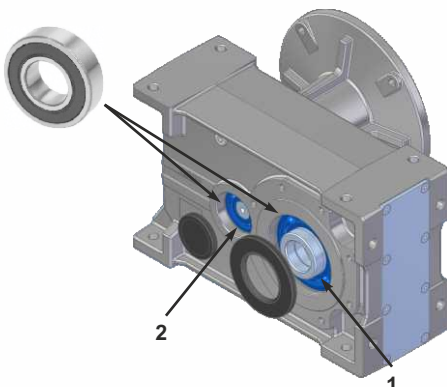
For ambient temperature >40°C
Per temperatura ambiente >40°C



Life lubricated bearings
Cuscinetti lubrificati a vita

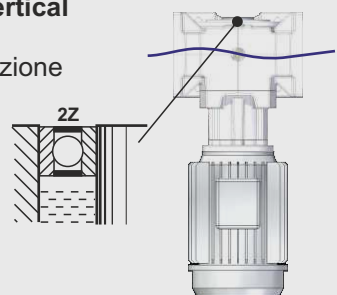
CODE **MONV6**

Advised / Suggestito



	1
H61/2/3C	6211
H71/2/3C	6213
H81/2/3C	6215
	2
H61/2/3C	6204
H71/2/3C	6204
H81/2/3C	6306

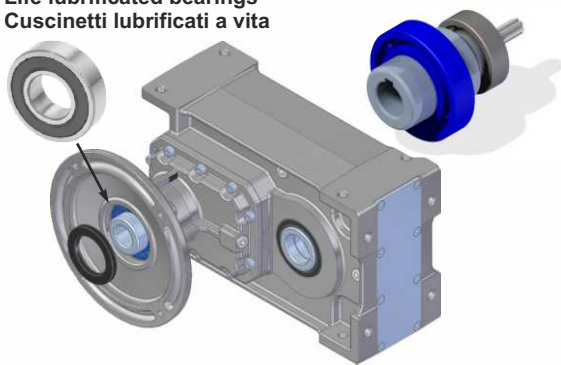
Ideal for V6 vertical position.
Ideale per posizione verticale V6.



Parallel shaft - ACCESSORIES AND OPTIONS



Life lubricated bearings
Cuscinetti lubrificati a vita



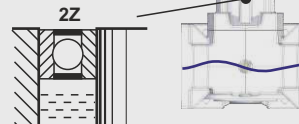
CODE **MONV5**

	Type
H63C H73C	6007
H62C H72C H83C	6009
H61C H71C	6011
H82C	6013
H81C	6014

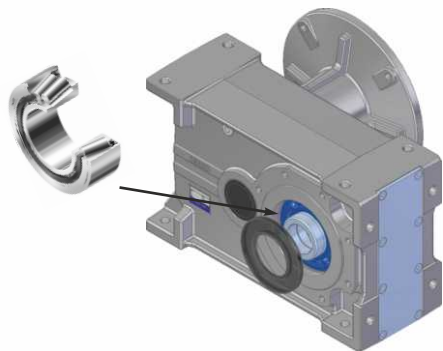
Advised / Suggestito

Ideal for V5 vertical position.

Ideale per posizione verticale V5.



Taper roller bearings on the hollow shaft
Cuscinetti conici sul mozzo in uscita



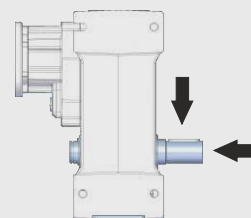
CODE **CRCOU**

	Type
H61/2/3C	30211 32011
H71/2/3C	30213 32013
H81/2/3C	30215

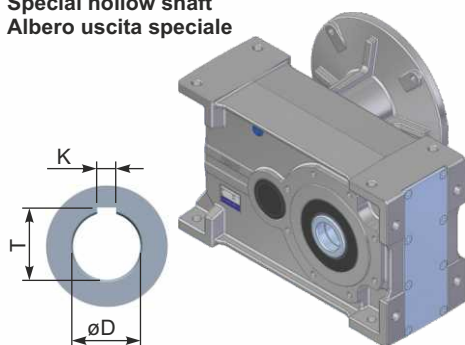
Advised / Suggestito

Ideal for high radial and axial loads +50% of the catalogue values

Ideale per forti carichi radiali e assiali +50% dei valori di catalogo.



Special hollow shaft
Albero uscita speciale



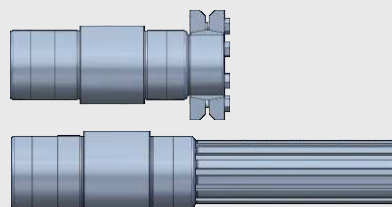
CODE **ACR...**

	øD	T	K	CODE
H61/2/3	40	43.3	12	ACR40
H71/2/3	45	48.8	14	ACR45
H81/2/3	55	59.3	16	ACR55

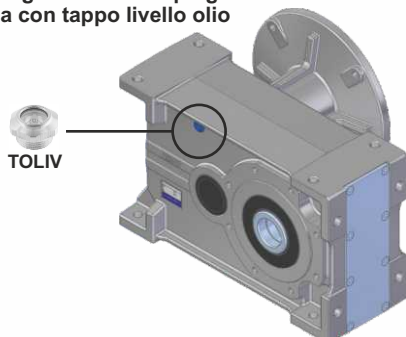
Advised / Suggestito

Any request from 10 pieces.

Ogni richiesta da 10 pezzi.



Housing with oil level plugs
Cassa con tappo livello olio



CODE **TOLIV**

	Type
H61/62/63C	3/8G
H71/62/63C	3/8G

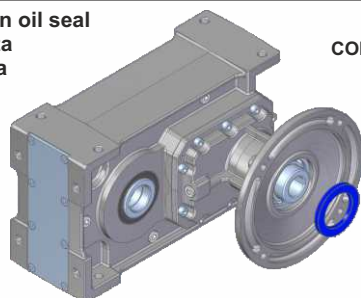
Advised / Suggestito

With level oil plug.

Con tappo livello.

For more information you see our website.
Per ulteriori informazioni consultare il sito.

Input with Viton oil seal
Anello di tenuta Viton in entrata



CODE **Input without coupling
Entrata senza giunto**

	Type
H62C H72C H83C	45x62x8
H63C H73C	35x47x7

Advised / Suggestito

For ambient temperature >40°C
Per temperatura ambiente >40°C



Parallel shaft - ACCESSORIES AND OPTIONS

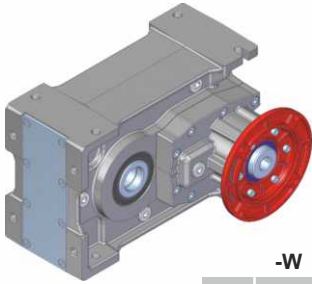


NEMA input flange.
Flangia entrata NEMA.

CODE **FLENU**

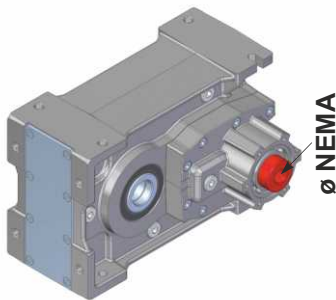
Advised / Sugerito

USA , CANADA, MEXICO.



	-W	-X	-Y	AA	AB
H62C H72C	56C-0.625	143/5TC-0.875	182/4TC-1.125	213/5TC-1.375	—
H63C H73C	56C-0.625	143/5TC-0.875	—	—	—
H82C	—	—	182/4TC-1.125	213/5TC-1.375	254/6TC-1.625
H83C	56C-0.625	143/5TC-0.875	182/4TC-1.125	213/5TC-1.375	—

Without NEMA flange
Senza flangia NEMA.



∅ NEMA

	-K	-N	-S	UA	UB
H62C H72C	0.625	0.875	1.125	—	—
H63C H73C	0.625	0.875	—	—	—
H82C	—	—	1.125	1.375	1.625
H83C	0.625	0.875	1.125	—	—